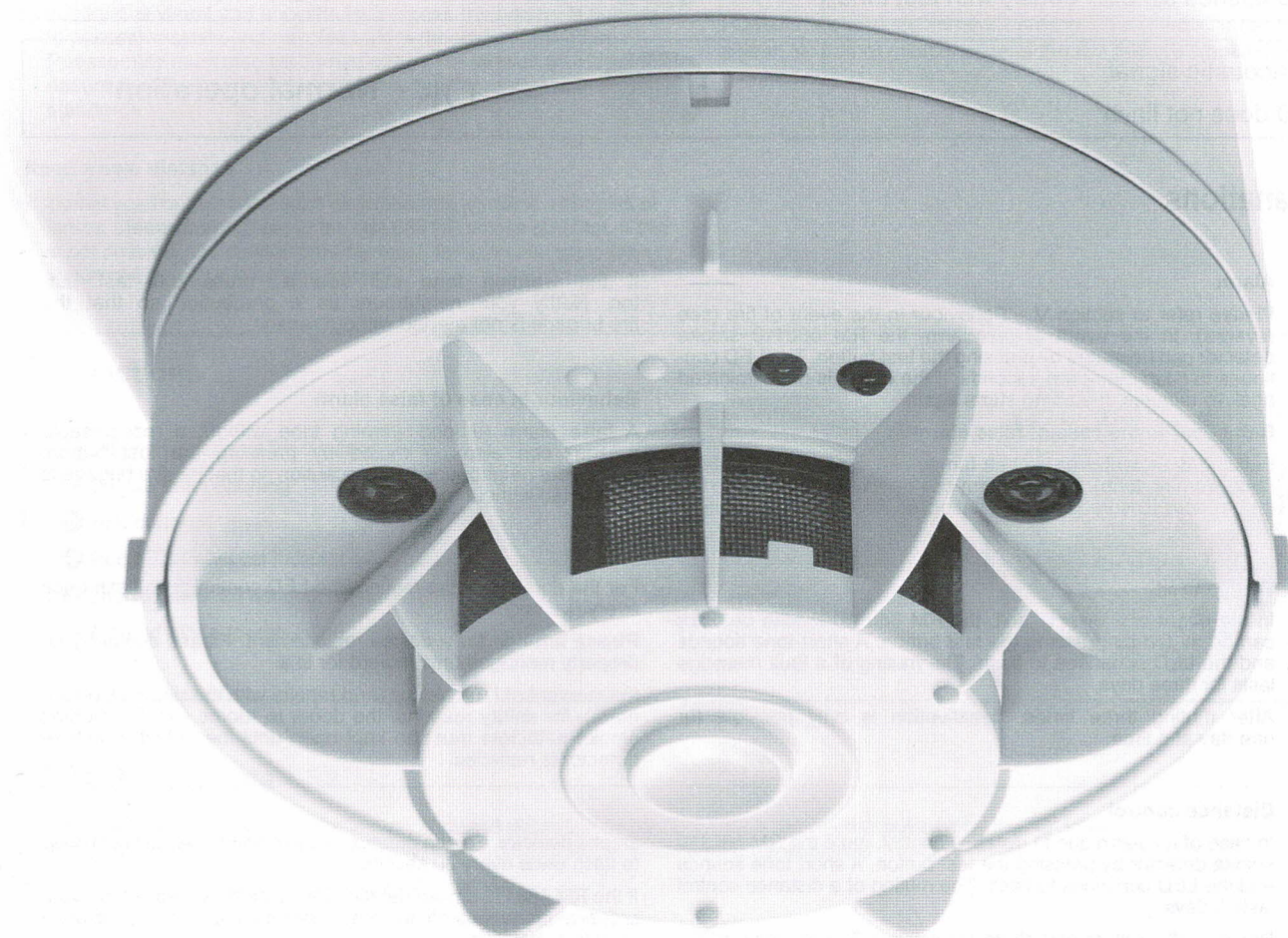


For all halls of residence of the Studentenwerk except Logenstraße.

# Operating instructions Smoke detector RM 680110



## I. Operating and warning signals at a glance

<p>))) Loud warning tone every 2 seconds</p> <p>☼ LED flashes once every 2 seconds</p>		<p><b>Alarm</b></p>
<p>))) Quiet warning tone 3 times every 5 minutes</p> <p>☼ LED flashes once every 5 seconds</p>		<p><b>Device fault</b></p>
<p>))) Quiet warning tone twice every 10 minutes</p> <p>☼ LED flashes twice every 30 seconds</p>		<p><b>Distance control</b></p>
<p>))) Quiet warning tone 3 times every 15 minutes</p> <p>☼ LED flashes 3 times every 15 minutes</p>		<p><b>Disassembly detection</b></p>
<p>))) Test tone (reduced volume)</p> <p>☼ LED flashes simultaneously with test tone</p>		<p><b>Functional check</b></p>
<p>))) No acoustic signal</p> <p>☼ LED does not flash</p>		<p><b>OK Normal operation</b></p>

## II. Explanations



### Alarm

Please refer to section V. - Behaviour in the event of fire (see reverse). In the event of an alarm, the RM 680110 smoke detector can be muted by pressing the test button. The LED continues to flash every two seconds. If the cause is not eliminated after 15 minutes, the alarm starts again.

#### Behaviour in the case of false alarm

Building dust, water or kitchen fumes can cause a false alarm (loud warning tone). A false alarm can be muted by pressing the test button. Ensure good ventilation of the room immediately.

If the warning tone still sounds, press the test button. Notify your neighbours as a precaution so that the fire brigade is not alerted without reason.

#### Behaviour in case of false alarm

A false alarm (a loud warning tone without a recognisable reason) can also be muted by pressing the test button. Notify your neighbours as a precaution so that the fire brigade is not alerted without reason.



### Device fault

In the event of a device fault, the RM 680110 smoke detector can be muted by pressing the test button. A short tone sounds and the LED continues to flash. The muting of a fault message lasts for three days.

After muting three times, deactivation is only possible for one day at a time.

For the duration of the muting, the LED continues to flash once every five seconds.

Please arrange for a device replacement. Please contact your property management/landlord for this.

In the event of fault alarms (and repairs with missing new equipment), for safety reasons, the doors to rooms with functioning smoke detectors must be kept open until the defective smoke detector is replaced.



### Distance control

In case of an alarm due to distance control, mute the RM 680110 smoke detector by pressing the test button. A short tone sounds and the LED continues to flash. The muting of a distance control lasts 3 days.

Remove all furniture and obstacles within a 50 cm radius of the

smoke detector. For the duration of the muting, the LED continues to flash twice every 30 seconds.

If the RM 680110 smoke detector has to be relocated, inform your property management/landlord to ensure that it can be professionally reinstalled.



### Disassembly detection

**Do not disassemble** the RM 680110 smoke detector – except for renovations.

The smoke detector cannot be muted, see III. Safety instructions.



### Functional check

When the test button is pressed, the RM 680110 smoke detector carries out a test of the smoke detector function.

Note that the device is then muted for 15 minutes. During this time, no acoustic alarm is given.



### Normal operation

In normal operation, the RM 680110 smoke detector does not emit an acoustic signal and the LED does not flash.



### III. Safety instructions

#### Procedure in the event of renovations

- Do not disassemble the RM 680110 smoke detector – except for renovations.
- During a renovation of the apartment, remove the device and store the detector and, if necessary, the base separately and dust-free in a plastic bag.
  - Do not paint, wallpaper or tape over the RM 680110 smoke detector.
  - To remove the device from the base, turn the housing anti-clockwise and remove it.
  - If the RM 680110 smoke detector remains dismantled for longer than a maximum of 2 weeks, it emits an acoustic signal (see table "I. Operating and warning signals at a glance – Disassembly detection"). The message disappears when the unit is screwed back into the base. It is not possible to mute the device when it is disassembled.
- After the renovation, immediately reassemble **the same device in the same place** and carry out a functional check by pressing the test button. The RM 680110 smoke detector is ready for operation when it is screwed into the base.
- If the smoke detector is disassembled for longer than 2 weeks, the service provider must be commissioned to carry out professional disassembly (muting by a specialist). Due to the otherwise continuous visual and acoustic fault signal, the battery is subject to excessive strain and may fail before the end of operation. Reassembly must also be carried out by the service provider to ensure that the apartment is equipped in accordance with DIN standards.

#### Keep a safe distance

- Do not position furniture, such as cupboards, curtains, canopies or lamps, **closer than 50 cm** to the RM 680110 smoke detector. If this is not possible, the service provider must, for example, reprogram the smoke detector in the apartment.

#### Immediately inform your property management/your landlord in the following cases:

- If there are structural changes and changes of use of individual rooms
- If, for example, the bedroom is divided or a room divider is installed or if the previous living room becomes a bedroom or children's room, as this requires additional RM 680110 smoke detectors

#### Note when using fans

Fans have a negative influence on the smoke inflow from the RM 680110 smoke detector and delay the detection of smoke.

#### Built-in battery

Do not open the RM 680110 smoke detector. The battery is permanently installed and does not need to be changed.

#### Assembly by certified specialists only

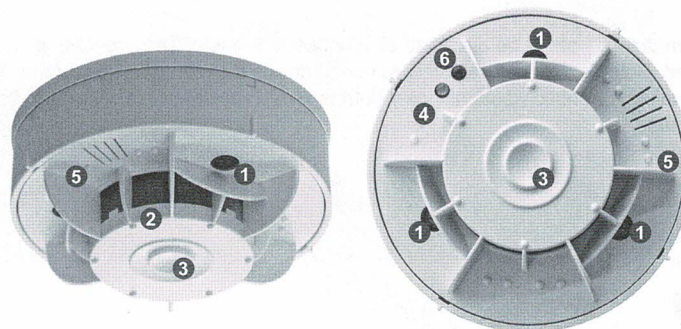
Assembly is carried out by certified specialists. They install the RM 680110 smoke detector with the enclosed mounting material (two plugs and screws each) in two-hole mounting according to DIN 14676.

#### RM 680110 smoke detector checks itself and the environment.

However, we also recommend carrying out an inspection at least once a year. No further maintenance of the RM 680110 smoke detector is required.

#### Functions

- 1 Ultrasonic sensors for distance control
- 2 Smoke entry opening
- 3 Test button
- 4 Red LED for visual indication
- 5 Loudspeaker for acoustic signal
- 6 Infrared diode for mounting



### IV. Technical data

- The RM 680110 smoke detector is manufactured according to DIN EN 14604 and is distinguished by the "Q" label. The prerequisite for this is successful testing according to the strict requirements of vfdb<sup>1</sup> directive 14-01.
- Smoke detection using the scattered light method.
- Permanently installed battery with a life of ten years plus one year reserve.
- Infrared monitoring of the smoke entry openings.
- Ultrasonic distance control – automatic check whether there are obstacles within a radius of 50 cm, which can delay the penetration of smoke.
- Regular automatic function check, additional manual function check possible at any time via test button.
- Contamination detection and sensitivity tracking.
- Disassembly detection after removal of the detector from the base.
- All messages during the night – except the alarm of fire smoke – are postponed to the next day.

The RM 680110 smoke detector may not be suitable for persons with impaired perception. In this case, please contact your property management/landlord.

<sup>1</sup> vfdb : Vereinigung zur Förderung des Deutschen Brandschutzes e.V. (German Fire Protection Association)

## V. Behaviour in case of fire

### Fire in the apartment



### Fire in the stairwell



## VI. German Electrical and Electronic Equipment Act (ElektroG)

We fulfil the obligations of the Electrical and Electronic Equipment Act (ElektroG) in Germany and draw your attention to the following:

Smoke detectors must not be disposed of in household waste. They contain valuable raw materials that are harmful to the environment and can be recycled. Batteries cannot be safely removed due to their design. Consumers are legally obliged to take the devices to a suitable collection point at retailers or public waste disposal companies, where they are separated from other old electrical appliances for the purpose of preparing them for reuse.



The waste bin symbol means that old electrical appliances must not be disposed of in household waste.



Hager Security SAS  
140 rue du Pré de l'Horme  
38920 Crolles Cedex  
France

EN 14604:2005 + AC 2008  
Smoke detector RM 680110  
Declaration of performance no.: 1772-130592  
Intended purpose: Fire protection system 1  
Vds no.: G214128

Hager Security SAS hereby confirms that the smoke detector with item no. RM 680110 complies with the regulations of the following European directives:  
- Directive RE-D 2014/53/EU from 13 June 2017  
The RoHS requirements are fulfilled.



Nutzerinformation  
Rauchmelder<sup>star</sup> (RM 680110)

User information  
Smoke detector<sup>star</sup> (RM 680110)

Información para el usuario  
Detector de humos<sup>star</sup> (RM 680110)

Informations destinées aux utilisateurs  
Détecteur de fumée<sup>star</sup> (RM 680110)

Informazioni per l'utente  
rilevatore di fumo<sup>star</sup> (RM 680110)

Korisnicke informacije  
Detektor dima<sup>star</sup> (RM 680110)

Informacja dla użytkownika  
Rauchmelder<sup>star</sup> (RM 680110)

Информация для пользователя  
Сигнализатор дыма<sup>star</sup> (RM 680110)

Kullanım bilgileri  
Duman dedektörü<sup>star</sup> (RM 680110)

îreta bikaranîne Dezgehê  
ragehandina şewata<sup>star</sup> (RM 680110)

ΕΝΗΜΕΡΩΣΗ ΓΙΑ ΤΗ ΧΡΗΣΗ ΤΟΥ  
ΑΝΙΧΝΕΥΤΗ ΚΑΠΝΟΥ Rauchmelder<sup>star</sup> (RM 680110)

Informacioni për përdoruesin  
Detektori i tymit<sup>star</sup> (RM 680110)

معلومات المستخدم  
جهاز اكتشاف الدخان (RM 680110)<sup>star</sup>



**BRUNATA  
METRONA**

Einfach. Mehr. Qualität.

## Platz für Ihre Notizen

---

---

---

---

---

---

---

---

---

---

---

---

---

---

---

---

---

---

---

---

---

---

---

---

## Nutzerinformation Rauchmelder<sup>star</sup> (RM 680110)

### Herzlichen Glück- wunsch zum Rauchmelder<sup>star</sup> von BRUNATA-METRONA



Im Brandfall breitet sich der tödliche Rauch schnell und oft unbemerkt in der gesamten Wohnung aus. Ein Rauchmelder schützt Sie und Ihr Zuhause, denn er warnt frühzeitig vor Brandrauch, vor allem im Schlaf, wenn der menschliche Geruchssinn nicht aktiv ist. So gewinnen Sie kostbare Zeit, um sich in Sicherheit zu bringen und Hilfe herbeizurufen.

**Bei baulichen Änderungen und/oder Nutzungsänderungen einzelner Räume informieren Sie bitte unverzüglich Ihren Vermieter/Ihre Hausverwaltung.**

Zum Umgang mit dem Gerät, über Handlungsanweisungen bei Störungen sowie über die Betriebs- und Warnsignale des Rauchmelder<sup>star</sup> informiert Sie die Bedienungsanleitung. Wenn darüber hinaus Unklarheiten bestehen, wenn der Rauchmelder<sup>star</sup> eine Störung meldet oder wiederholt Alarmmeldungen ausgibt, wenden Sie sich bitte an unsere – für 24 Stunden am Tag erreichbare – telefonische Hotline:



BRUNATA-METRONA Rauchmelder-Hotline:

**0800 000 1797**

Hersteller: Atral-Secal GmbH, Modell RM 680110



BRUNATA-METRONA ist Mitglied der Kampagne „Rauchmelder retten Leben“ des Forums Brandrauchprävention e.V.  
[www.brunata-metrona.de](http://www.brunata-metrona.de)

## User information Smoke detector<sup>star</sup> (RM 6801 10)

### Congratulations on your new BRUNATA-METRONA smoke detector<sup>star</sup>

In the event of a fire, deadly smoke spreads quickly and often unnoticed throughout the entire home. A smoke detector protects you and your household because it gives early warning of fire, particularly during sleep when your sense of smell is not active. You therefore save valuable time in which to get to safety and call for help.

Please inform your landlord / property manager immediately of any structural changes and / or changes in use of individual rooms.

Please refer to the instruction manual for information regarding smoke detector<sup>star</sup> error signals as well as operating and warning signals. If you have any questions, if the smoke detector<sup>star</sup> indicates an error or repeatedly emits an alarm, please contact us on our 24-hour hotline:



## Información para el usuario Detector de humos<sup>star</sup> (RM 6801 10)

### Felicidades por su detector de humos<sup>star</sup> de BRUNATA-METRONA

Cuando se produce un incendio, el humo se expande rápidamente por toda la vivienda y, con frecuencia, de forma desapercibida. El detector de humos le protege a usted y a su hogar, ya que le advierte antes de que se produzca el humo del incendio, sobre todo mientras duerme, cuando el sentido del olfato humano deja de encontrarse activo. Esto le permite ganar un tiempo precioso a fin de ponerse a salvo y pedir ayuda.

Si realiza modificaciones de la construcción o del uso de estancias particulares en su inmueble sírvase informar inmediatamente a su casero o administración del edificio.

Las instrucciones de servicio le informan sobre lo concerniente al manejo del dispositivo, el modo de proceder en caso de fallo así como en lo relativo a las señales de servicio y de aviso del detector de humos<sup>star</sup>. Si, por lo demás, sigue teniendo dudas cuando el detector de humos<sup>star</sup> comunique un fallo o repetidamente emita señales de alarma, sírvase ponerse en contacto telefónico con nuestra línea de atención al cliente a cualquiera de las 24 horas del día:



BRUNATA-METRONA Smoke detector-Hotline:

**0800 000 17 97**

Manufacturer: Atral-Secal GmbH, model RM 680110

BRUNATA-METRONA, línea de atención  
al cliente de detector de humos:

**0800 000 17 97**

Fabricante: Atral-Secal GmbH, modelo RM 680110



BRUNATA-METRONA is a member of the campaign  
"Smoke detectors save lives" from the Forum  
Brandrauchprävention e.V., (Association for fire prevention)  
[www.brunata-metrona.de](http://www.brunata-metrona.de)



BRUNATA-METRONA es miembro de la campaña  
«Los detectores de humos salvan vidas»  
del foro Brandrauchprävention e.V  
[www.brunata-metrona.de](http://www.brunata-metrona.de)

## Informations destinées aux utilisateurs Détecteur de fumée<sup>star</sup> (RM 680110)

### Nous vous félicitons de l'acquisition du détecteur de fumée<sup>star</sup> de BRUNATA-METRONA

Lors d'un incendie, la fumée mortelle se répand rapidement et souvent de manière inaperçue dans l'ensemble du logement. Le détecteur de fumée vous protège vous et votre domicile car il signale à temps la fumée d'incendie, notamment pendant le sommeil, lorsque le sens de l'odorat humain n'est pas en fonction. Ainsi, vous gagnez un temps précieux pour vous mettre en sécurité et demander de l'aide.

En cas de modifications de la construction et/ou de l'utilisation de certaines pièces, veuillez en informer immédiatement votre propriétaire/le gérant de votre immeuble.

Pour vous informer sur l'utilisation de l'appareil, sur les consignes à respecter en cas de dysfonctionnement et sur les signaux de service et d'avertissement du détecteur de fumée<sup>star</sup>, veuillez consulter la notice d'utilisation. Si certaines choses ne sont pas toujours pas claires, si le détecteur de fumée<sup>star</sup> signale une erreur ou émet de manière répétée des alarmes, veuillez vous adresser à notre hotline téléphonique disponible 24 h / 24:



## Informazioni per l'utente rilevatore di fumo<sup>star</sup> (RM 680110)

### Congratulazioni per l'acquisto del rilevatore di fumo<sup>star</sup> della BRUNATA-METRONA

In caso di incendio, il fumo mortale si diffonde velocemente e spesso in modo impercettibile in tutto appartamento. Un rivelatore di fumo protegge voi e la vostra casa segnalando tempestivamente la presenza di fumo da incendio, soprattutto mentre dormite e l'olfatto è inattivo. Questo consente di guadagnare tempo prezioso per mettersi al sicuro e chiedere aiuto.

In caso di lavori di restauro e / o cambio del tipo d'utilizzo di singoli locali, informare immediatamente il locatore o l'amministrazione del condominio.

Le istruzioni per l'uso contengono informazioni sull'utilizzo dell'apparecchio, sull'utilizzo in caso di anomalie, nonché sui segnali di funzionamento e avvertimento del rilevatore di fumo<sup>star</sup>. In caso di dubbi, se il rilevatore di fumo<sup>star</sup> segnala un'anomalia o emette ripetutamente segnali d'allarme, contattare la nostra hotline telefonica – raggiungibile 24 ore su 24.



BRUNATA-METRONA Hotline du détecteur de fumée:

**0800 000 17 97**

Fabricant: Atral-Secal S.à.r.l., modèle RM 680110



BRUNATA-METRONA est membre de la campagne  
«Les détecteurs de fumée sauvent des vies»  
du Forum Brandrauchprävention e.V.  
[www.brunata-metrona.de](http://www.brunata-metrona.de)



Hotline per rilevatori di fumo BRUNATA-METRONA:

**0800 000 17 97**

Produttore: Atral-Secal GmbH, modello RN 680110



BRUNATA-METRONA è membro dell'iniziativa  
«I rilevatori di fumo salvano la vita»  
del Forum Brandrauchprävention e.V.  
[www.brunata-metrona.de](http://www.brunata-metrona.de)



## Korisničke informacije Detektor dima<sup>star</sup> (RM 680110)

### Srdačno Vam čestitamamo na javljaču dimastar tvrtke BRUNATA-METRONA

U slučaju požara smrtonosni se dim brzo i često neprimjetno širi cijelim stanom. Detektor dima pravovremenim upozorenjem na dim od požara štiti Vas i Vaš dom, prije svega za vrijeme spavanja kada čovjekovo osjetilo mirisa nije aktivno. Tako ćete dobiti na dragocjenom vremenu potrebnom da biste se sklonili na sigurno i pozvali pomoć.

**Molimo Vas da u slučaju provođenja građevinskih izmjena i/ili izmjena uporabe pojedinačnih prostorija odmah obavijestite svog najmodavca odnosno svoj kućni savjet.**

U uputi za uporabu naći ćete upute za rukovanje uređajem kao i za ponašanje u slučaju kvara te informacije o signalima spremnosti za rad i upozornim signalima detektora dima. Ukoliko ipak bude nejasnoća u situacijama kada detektor dima dojaviti kvar ili se opetovano počne oglašavati alarm, molimo da se obratite našoj telefonskoj vrućoj liniji koja je dostupna 24 sata dnevno:



## Informacja dla użytkownika Rauchmelder<sup>star</sup> (RM 680110)

### Serdecznie gratulujemy nabycia czujnika dymu Rauchmelder<sup>star</sup> firmy BRUNATA-METRONA

W razie pożaru trujący dym rozprzestrzenia się szybko i niezauważalnie po całym mieszkaniu. Czujnik dymu chroni Ciebie i całe mieszkanie, gdyż ostrzega on odpowiednio wcześniej o dymie pożarowym – przede wszystkim w trakcie snu, gdy ludzki zmysł powonienia jest nieaktywny. W ten sposób można uzyskać wiele cennego czasu na ucieczkę w bezpieczne miejsce lub na wezwanie pomocy.

**Jeżeli wprowadzasz zmiany budowlane i/lub zmieniasz sposób wykorzystania poszczególnych pomieszczeń, to niezwłocznie poinformuj o nich właściciela lub administrację budynku.**

Informacje o zasadach obchodzenia się z urządzeniem, instrukcje na wypadek zakłóceń w funkcjonowaniu a także o sygnałach eksploatacyjnych i ostrzegawczych czujnika dymu Rauchmelder<sup>star</sup> zawiera instrukcja obsługi. Jeżeli zaistnieją jakiegokolwiek niejasności, jeżeli czujnik dymu Rauchmelder<sup>star</sup> zasygnalizuje uszkodzenie lub będzie wielokrotnie sygnalizował alarm, prosimy o telefoniczny kontakt z naszą 'gorącą linią' – dostępną przez 24 godziny dziennie:



Otvorena telefonska linija za detektor  
dima BRUNATA-METRONA:

**0800 000 17 97**

Proizvođač: Atral-Secal GmbH, Modell RM 680110

'Gorąca linia' czujników dymu BRUNATA-METRONA:

**0800 000 17 97**

Producent: Atral-Secal GmbH, model RM 680110



BRUNATA-METRONA član je kampanje  
„Detektori dima spašavaju živote“  
forumu prevencije dima od vatre  
Brandrauchprävention e.V.  
[www.brunata-metrona.de](http://www.brunata-metrona.de)



BRUNATA-METRONA jest członkiem kampanii  
„Czujniki dymu ratują życie“  
forum Brandrauchprävention e.V.  
[www.brunata-metrona.de](http://www.brunata-metrona.de)

## Информация для пользователя Сигнализатор дыма<sup>star</sup> (RM 680110)

### Поздравляем с приоб-ретением сиг-нализатора дыма<sup>star</sup> производства компании BRUNATA-METRONA

При пожаре смертельно опас-ный дым быстро и часто незаметно распространяется по всей квартире. Сигнализатор дыма защитит вас и ваш дом, ведь он на раннем этапе предупреждает о наличии дыма, прежде всего, во время сна, когда ор-ганы обоняния человека бездействуют. Таким образом вы сможете выиграть время, чтобы переместиться в безопасное место и вызвать помощь.

**При конструктивных изменениях отдельных по-мещений и / или при изменении их использова-ния незамедлительно проинформируйте вашего арендодателя / вашу домоуправляющую компа-нию.**

Обращение с прибором, инструкции на случай неисправностей, а также сигналы при эксплуатации и предупредительные сигналы сигнализатора дыма<sup>star</sup> описаны в инструкции по эксплуатации. При воз-никновении вопросов или если сигнализатор дыма<sup>star</sup> сообщает о неисправности или повторно выдает тревожные сообщения, вы можете в любое время суток обратиться по телефону в нашу горячую службу поддержки:



## Kullanım bilgileri Duman dedektörü<sup>star</sup> (RM 680110)

### BRUNATA-METRONA duman dedektörü-nüzü<sup>star</sup> güle güle kullanın

Bir yangın halinde öldürücü duman, tüm evin içine hızlıca ve genelde fark edilmek-sizin yayılır. Duman dedektörü, sizi ve evinizi korur, çünkü yangın dumanına karşı zamanında uyarır, özellikle de insanın koku duyusunun aktif olmadığı uykuda iken. Bu sayede kendinizi güven altına ala-bilmeniz ve yardım çağırmanız için gereken o son derece değerli zamanı kazanmış olursunuz.

**Odalarda yapılacak inşaata ve / veya kullanı-ma ilişkin de□işikliklerde lütfen ev sahibinize / yöneticinize vakit kaybetmeksizin haber ve-riniz.**

Cihazın nasıl kullanılacağı, arıza halinde yapıl-ması gerekenler ve duman dedektörününstar çalışma ve uyarı sinyalleri hakkında kullanım kılavuzu size bilgi vermektedir. Bunun dışında belirsizlikler olması, duman dedektörününstar arızalanması veya mükerrer olarak alarm çalması halinde, lütfen – günün 24 saati emrinizde olan – telefon yardım hattımıza başvurunuz:



Служба поддержки пользователей сигнализаторов  
дыма BRUNATA-METRONA:

**0800 000 17 97**

Производитель: Atral-Secal GmbH, модель RM 680110

BRUNATA-METRONA duman dedektörü yardım hattı:

**0800 000 17 97**

Üretici: Atral-Secal GmbH, Model RM 680110



BRUNATA-METRONA является участником кампании «Сигнализаторы дыма для спасения жизни» на форуме по технологиям обнаружения дыма Brandrauchprävention e.V.  
[www.brunata-metrona.de](http://www.brunata-metrona.de)



BRUNATA-METRONA, “Yangın Dumanına Karşı Koruma Derneği” (Brandrauchprävention e.V.) forumunun “Duman Dedektörleri Hayat Kurtarı” kampanyasına üyedir.  
[www.brunata-metrona.de](http://www.brunata-metrona.de)

## Îreta bikaranîne Dezgehê ragehandina şewata<sup>star</sup> (RM 680110)

### Kirrîna Dezgehê ragehandina şewata<sup>star</sup> BRUNATA-METRONA ji we pîroz diken.

Di maweya şewatê da bi pirranî dokelên jahrî bilez û bê nîşane di giş malê da belav dibin. Dezgehê ragehandina şewatê we û mala we pê ragehandina pêşwexta metirsîyê, bi taybet di maweya xwevê da ku heta bênkirina mirov naxebite, diparêze. Bi wî awayî we tê derfetek baş hebe bû çûna nav çîyek ewleh û daxwaz kirina alîkarîyê.

**Di rewşa guhertin û /yan guhertina bikaranîne di odeyên malê da kerema xwe bilez gel xwedî-mal/rêveberê avahîya xwe pêwendîyê bigirin.**

Li ser çawanîya bikaranîna dezgahî, liser çawanîya xebitandina dezgah li maweya alozbûnê û sîgnalên hişyarkerê Dezgehê ragehandina şewata<sup>star</sup> serdana şîreta bikaranîne bikin. Eger dîsan jî xalek nedîyar li dema ragehandina şaş da û yan ragenadina şewata<sup>star</sup> xetereya berdewam ji dezgeh hebû gel hêlên telefonî- 24 demjimêrî - gel me pêwendîyê bigirin:



## ΕΝΗΜΕΡΩΣΗ ΓΙΑ ΤΗ ΧΡΗΣΗ ΤΟΥ ανιχνευτή καπνού Rauchmelder<sup>star</sup> (RM 680110)

### Συγχαρητήρια για την αγορά του ανιχνευτή καπνού Rauchmelder<sup>star</sup> της BRUNATA-METRONA

Σε περίπτωση πυρκαγιάς ο θανατηφόρος καπνός ξαπλώνεται ταχύτατα, και συχνά χωρίς να γίνει αντιληπτός, σε όλα τα δωμάτια. Ένας ανιχνευτής καπνού προστατεύει και εσάς και το σπίτι σας, διότι σας προειδοποιεί εγκαίρως για το σχηματισμό καπνού λόγω πυρκαγιάς, κυρίως κατά τη διάρκεια του ύπνου, όταν δεν είναι ενεργή η αίσθηση της όσφρησης του ανθρώπου. Έτσι κερδίζετε πολύτιμο χρόνο για να προστατευθείτε και να καλέσετε βοήθεια.

**Σε περίπτωση οικοδομικών τροποποιήσεων ή/και αλλαγής της χρήσης μεμονωμένων χώρων, ενημερώστε αμέσως τον εκμισθωτή σας/τη διαχείριση του κτιρίου.**

Οι οδηγίες χρήσης σας ενημερώνουν για τη χρήση της συσκευής, τη συμπεριφορά σε περίπτωση βλάβης και για τα σήματα λειτουργίας και συναγερμού. Εάν έχετε επιπλέον απορίες, αν ο ανιχνευτής καπνού Rauchmelder<sup>star</sup> δώσει σήμα βλάβης ή σημάνει επανηλλειμένα συναγερμό, επικοινωνήστε με την 24ωρη ανοικτή τηλεφωνική γραμμή μας:

Hêlên Telefonî BRUNATA-METRONA:

**0800 000 17 97**

Berhemker: Atral-Secal GmbH, Modell RM 680110

Ανοικτή γραμμή (hotline) ανιχνευτή καπνού της  
BRUNATA-METRONA:

**0800 000 17 97**

Κατασκευαστής: Atral-Secal GmbH, μοντέλο RM 680110



BRUNATA-METRONA endamê  
„Dezgehên ragehandina şewatê xelaskerê  
canan“ yê civata bergirîya şewata e.V.  
[www.brunata-metrona.de](http://www.brunata-metrona.de)



Η BRUNATA-METRONA είναι μέλος της εκστρατείας  
«Οι ανιχνευτές καπνού σώζουν ζωές»  
του φόρουμ Brandrauchprävention e.V.  
[www.brunata-metrona.de](http://www.brunata-metrona.de)

## Informacioni për përdoruesin Detektori i tymit<sup>star</sup> (RM 680110)

### Urime të përzemërta për blerjen e detektorit të tymit<sup>star</sup> nga BRUNATA-METRONA

Në rast zjarri, tymi vdekjeprurës përhapet shpejt dhe shpesh pa u vënë re në të gjithë shtëpinë. Detektori i tymit ju mbron juve dhe shtëpinë tuaj, sepse ai paralajmëron herët për tymin e zjarrit, në veçanti kur jeni në gjumë dhe shqisa e nuhatjes së njeriut nuk është aktive. Kështu ju fitoni kohë të çmuar për të kaluar në vend të sigurt dhe për të kërkuar ndihmë.

**Në rast ndryshimesh strukturore dhe/ose të përdorimit të hapësirave të veçanta, jeni të lutur të informoni menjëherë qiradhënësin/administratorin e ndërtesës.**

Manuali përdorimit ju informon si të vepron im pajisjen, nëpërmjet instruksioneve të veprimit në rast defektesh, si dhe me ndihmën e sinjaleve të funksionimit dhe sinjaleve paralajmëruese të detektorit të tymit<sup>star</sup>. Megjithatë, kur keni paqartësi, kur detektori i tymit<sup>star</sup> sinjalizon një problem ose lëshon sinjale alarmi në mënyrë të përsëritur, mund të kontaktoni me linjën tonë të dedikuar telefonike që është e disponueshme 24 orë në ditë:



## معلومات المستخدم جهاز اكتشاف الدخان (RM 680110) star

### أطيب التمنيات القلبية مع جهاز اكتشاف الدخان من شركة BRUNATA-METRONA

في حالة نشوب حريق ينتشر الدخان القاتل بسرعة في الشقة بأكملها وفي الغالب دون ملاحظة من السكان. جهاز اكتشاف الدخان يحميك أنت ومنزلك لأنه يوفر إنذاراً مبكراً لدخان الحريق، لا سيما أثناء النوم، عندما تكون حاسة الشم البشرية غير نشطة. إذن فلتربح الوقت الثمين للوصول إلى الأمان وطلب النجدة.

في حالة إجراء أي تغييرات هيكلية و/أو إجراء تغييرات في استخدامات الغرف الفردية، يُرجى سرعة إبلاغ إدارة العقار/مالك العقار.

وللتعامل مع الجهاز، يُرجى الرجوع إلى دليل الاستخدام لمعرفة إرشادات التعامل في حالة ظهور اختلالات وكذلك معرفة إشارات التشغيل وإشارات الإنذار لجهاز اكتشاف الدخان<sup>star</sup>. وإذا كانت هناك أيضاً أمور غير واضحة عندما يشير جهاز اكتشاف الدخان<sup>star</sup> لوجود أي أعطال أو عندما تتكرر إشارات التنبيه برجاء التوجه إلى خدمة الخط الساخن والتي تعمل في خدمتكم 24 ساعة في اليوم:



Linja e dedikuar për detektorin e tymit  
BRUNATA-METRONA:

0800 000 17 97

Prodhues: Atral-Secal GmbH, Model RM 680110

الخط الساخن لجهاز اكتشاف الدخان من شركة  
:BRUNATA-METRONA

0800 000 17 97

جهة الصنع: Atral-Secal GmbH، موديل RM 680110



BRUNATA-METRONA është pjesë e fushatës  
"Rauchmelder retten Leben" (Detektori i tymit  
shpëton jetë) së forumit Brandrauchprävention e.V.  
[www.brunata-metrona.de](http://www.brunata-metrona.de)



تعد شركة BRUNATA-METRONA عضواً بحملة  
«جهاز اكتشاف الدخان ينقذ الأرواح»  
التي يقودها منتدى منع دخان الحريق (جمعية مسجلة)  
[www.brunata-metrona.de](http://www.brunata-metrona.de)

